

TOTO

Floor standing Tub Filler(W/ Hand Shower)

TBG01306B+TBN01105B (Mounting fittings)

TBG01306B



Active
Wave

FEATURES

- Elegant appearance.
- Beautiful curves reveal elegant taste.

SPECIFICS

Water Inlet Requirement :
0.05MPa(Dynamic
Pressure)~1.0MPa(Static
Pressure)

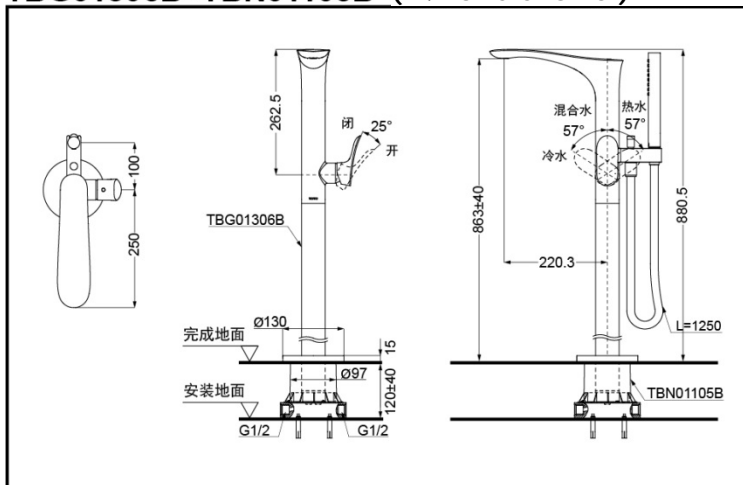
Water Efficiency :
Grade2(Hand Shower)

Others

Series : GO
Recommend fittings :
Galaline bathtub
PJY1814HPW

Floor standing Tub Filler

TBG01306B+TBN01105B (W/Hand Shower)



*TOTO(CHINA) CO.,LTD. All rights reserved.